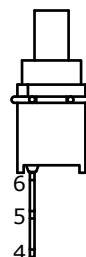
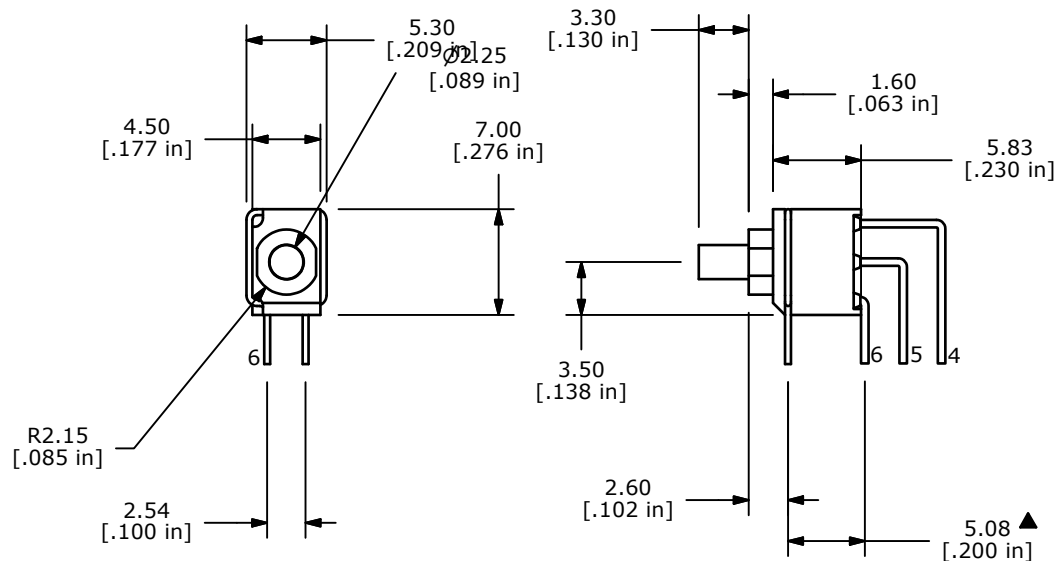


SWITCH FUNCTION	
POS. 1	POS. 2
ON	(ON)
5-6	5-4

(ON)=MOMENTARY



NOTE:

1. ALL DIMENSIONS IN MM [INCH]
2. GENERAL TOLERANCE: X.X=±0.4
X.XX=±0.25
3. TERMINAL NUMBERS FOR REF ONLY
- ▲ 4. CONTACTS: GOLD PLATED
5. TRAVEL: 1.0mm
6. RATING: 0.4 VA max. @ 20V AC OR DC max.
7. CONTACT RESISTANCE: <100 MILLI-OHM
8. ELECTRICAL LIFE: 6,000 MAKE-AND-BREAK CYCLES.
9. INSULATION RESISTANCE: 500 MEGA-OHM min.
10. DIELECTRIC STRENGTH: 500 V RMS @SEA LEVEL.
11. OPERATING TEMP.: -30°C to 85°C
12. ▲ DENOTES CRITICAL PARAMETER.
13. SEAL RATING: IP67
14. 2002/95/EC (ROHS) COMPLIANT



TITLE 800USP8P1A1M7RE

A	21940	New Release	8/3/15	rc
REV	PCR NO	DESCRIPTION	DATE	BY

SCALE	DATE	DR	DWG	REV
2:1	7/27/2015	rc	T850002	A

THE INFORMATION CONTAINED IN THIS DOCUMENT IS PROPRIETARY TO E-SWITCH AND IS NOT TO BE COPIED OR TRANSFERRED